

SAMPLE COMPANY

SOLAR ENERGY DESIGN AND INSTALLATION

GREENWAY SOLAR SYSTEMS, INC.
 1835 Taft Ave, Unit 1
 Los Angeles, CA, USA
 90028
 Tel/Fax: 323 466 4717
 Email: info@greenway-solar.com
 Website: www.greenway-solar.com

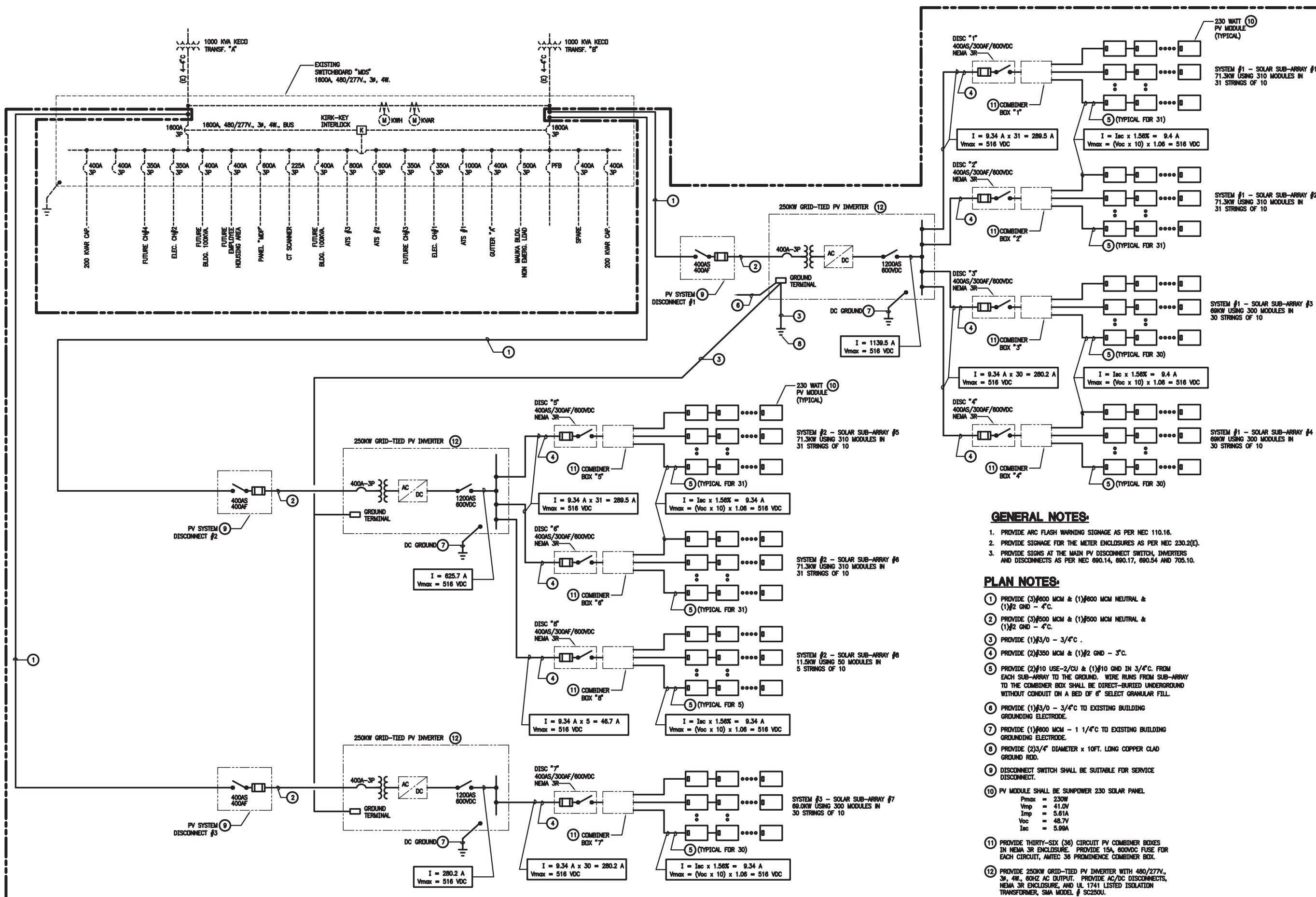
SAMPLE INSTITUTION

Signature
 Expiration Date: Sample Date
 This was prepared by me or under my supervision. Construction of this project will be under my observation. Observation as defined in Section (Sample) of (State) Administrative Rules (Sample) Title 16, Chapter 115, Professional Engineers, Architects, Surveyors, and Landscape Architects.

JOB NUMBER:		
DATE:		
PROJECT DIRECTOR:		
DESIGNED BY:		
DRAWN BY:		
CHECKED BY:		
NO	DATE	REVISIONS

SINGLE LINE DIAGRAM

E5-1



SCOPE OF WOP

SINGLE LINE DIAGRAM

SCALE
NONE

1